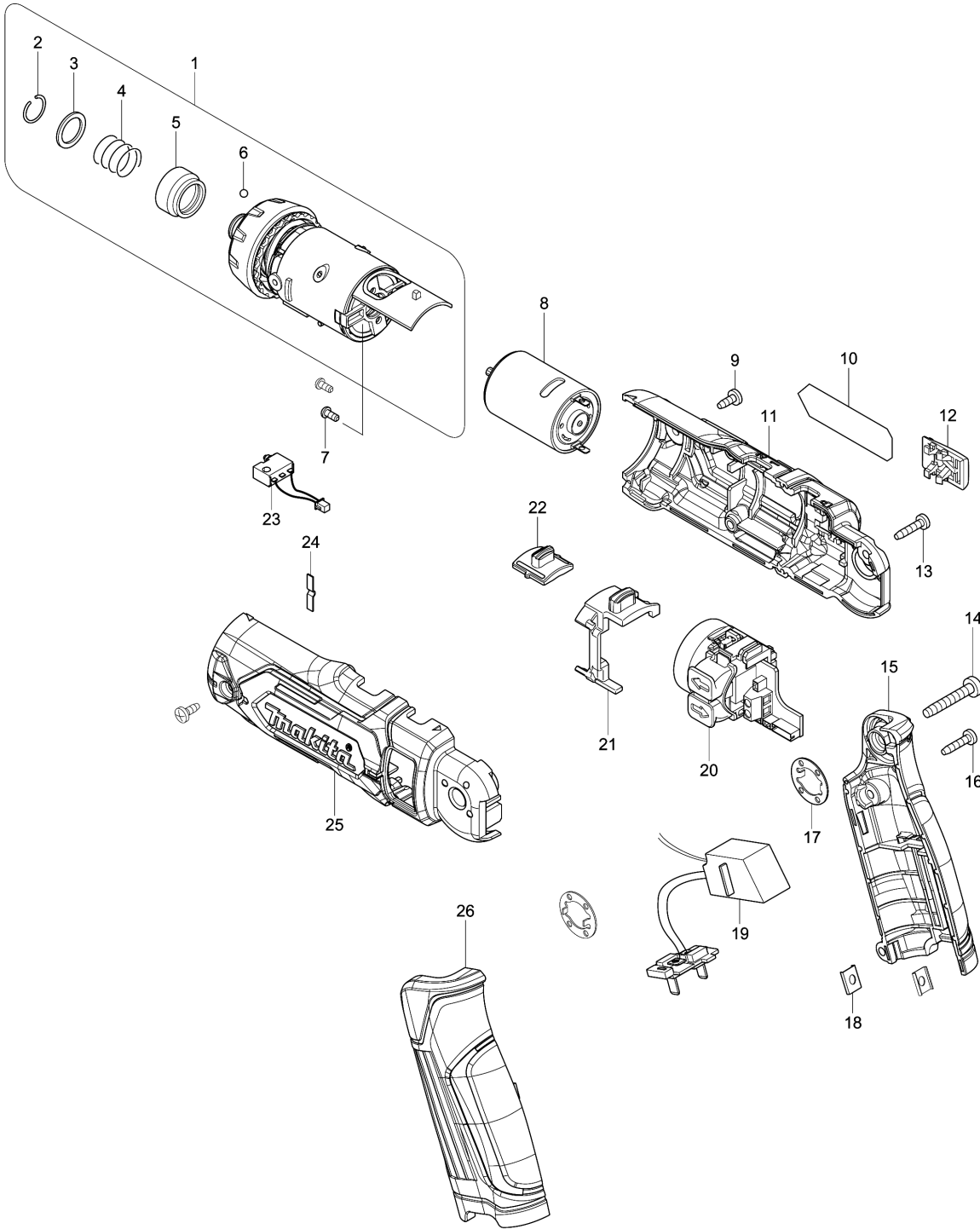


Model No.DF012D CORDLESS DRIVER DRILL



Model No.DF012D CORDLESS DRIVER DRILL

| Item | Parts No. | Description | I/C | Qty | New/Old | Opt. 1 | Opt. 2 | Note |
|------|-----------|--------------------------------|-----|-----|---------|--------|--------|------|
| 001 | 123914-7 | GEAR ASSY | | 1 | | | | |
| C10 | 450558-3 | CHANGE RING | | 1 | | | | |
| D10 | | INC. 2-6 | | | | | | |
| 002 | 231965-7 | RING SPRING 10 | | 1 | | | | |
| 003 | 267143-3 | FLAT WASHER 11 | | 1 | | | | |
| 004 | 233005-7 | COMPRESSION SPRING 13 | | 1 | | | | |
| 005 | 324711-6 | BIT SLEEVE | | 1 | | | | |
| 006 | 216019-1 | STEEL BALL 3 | | 2 | | | | |
| 007 | 265172-0 | +PAN HEAD SCREW M2.6X6 | | 2 | | | | |
| 008 | 629266-9 | DC MOTOR | | 1 | | | | |
| 009 | 265954-0 | TAPPING SCREW BIND PT3X8 | | 2 | | | | |
| 010 | 853C22-5 | DF012D NAME PLATE | | 1 | | | | |
| 011 | 183F98-9 | MOTOR HOUSING SET | | 1 | | | | |
| D10 | | INC. 25 | | | | | | |
| 012 | 450590-7 | SLIDE PLATE | | 1 | | | | |
| 013 | 266404-8 | TAPPING SCREW BIND 3X14 | | 3 | | | | |
| 014 | 266374-1 | TAPPING SCREW 4X25 | | 1 | | | | |
| 015 | 183G00-8 | HANDLE SET | | 1 | | | | |
| D10 | | INC. 26 | | | | | | |
| 016 | 266404-8 | TAPPING SCREW BIND 3X14 | | 2 | | | | |
| 017 | 267803-7 | LOCK WASHER | | 2 | | | | |
| 018 | 345749-8 | SET PLATE | | 2 | | | | |
| 019 | 631811-8 | CONTROLLER | | 1 | | | | |
| 020 | 638605-2 | SWITCH UNIT | | 1 | | | | |
| 021 | 450553-3 | CHANGE LEVER | | 1 | | | | |
| 022 | 125465-6 | SPEED CHANGE LEVER ASSEMBLY | | 1 | | | | |
| C10 | 233018-8 | COMPRESSION SPRING 3 | | 2 | | | | |
| 023 | 638609-4 | SWITCH UNIT | | 1 | | | | |
| 024 | 232369-6 | LEAF SPRING | | 1 | | | | |
| 025 | 183F98-9 | MOTOR HOUSING SET | | 1 | | | | |
| D10 | | INC. 11 | | | | | | |
| 026 | 183G00-8 | HANDLE SET | | 1 | | | | |
| D10 | | INC. 15 | | | | | | |
| A01 | ***DC10WA | DC10WA BATTERY CHARGER | | 1 | | | | |
| D10 | | COMPO-PARTS | | | | | | |
| A02 | 198000-3 | BATTERY BL0715 SET | | 2 | | | | |
| A03 | 784244-7 | + BIT 2-50 | | 1 | | | | |
| A04 | 784245-5 | + BIT 1-50 | | 1 | | | | |
| A05 | 824781-0 | PLASTIC CASE | | 1 | | | | |
| A06 | 821549-5 | CONNECTOR PLASTIC CASE (TYPE1) | | 1 | | | | |
| C10 | 453974-8 | LATCH | | 4 | | | | |

Model No.DF012D CORDLESS DRIVER DRILL

| Item | Parts No. | Description | I/C | Qty | New/Old | Opt. 1 | Opt. 2 | Note |
|------|-----------|-----------------------------|-----|-----|---------|--------|--------|------|
| A07 | 837871-0 | INNER TRAY | | 1 | | | | |
| A08 | 812M89-2 | DF012DSJ INDICATION LABEL | | 1 | | | | |
| A09 | 812M90-7 | DF012DSJ PLASTIC CASE LABEL | | 2 | | | | |

Please order the parts with part number.

Print Date 26/3/2020